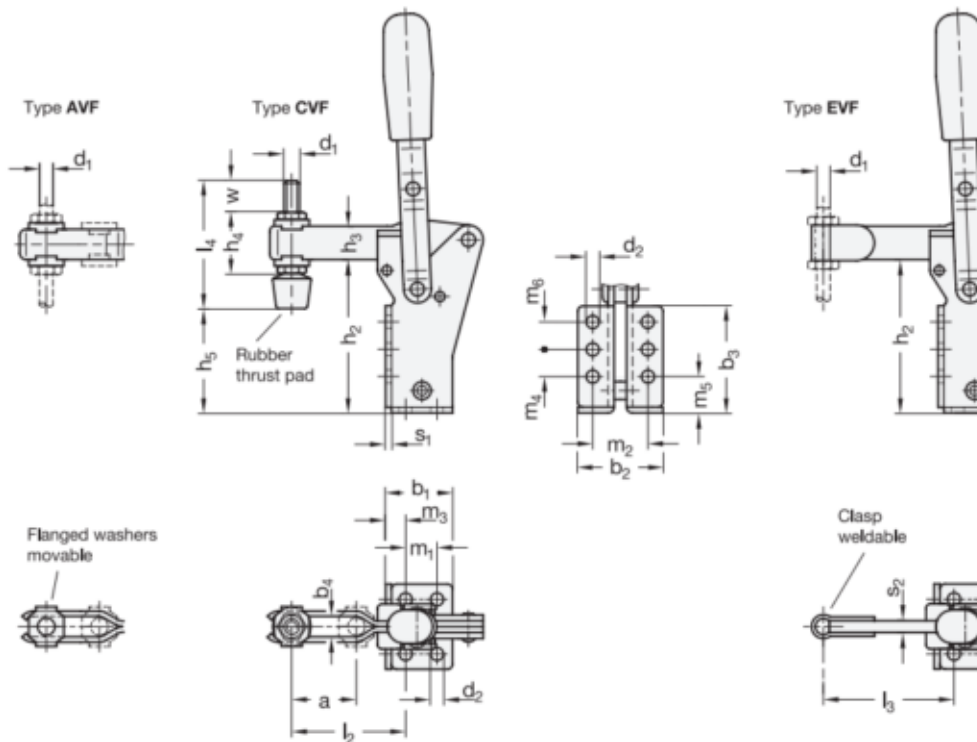


Article number: 208121130EVF  
 Description: E+G vertical clamps  
 GN 812.1-130-EVF

## Measures



b1 = 31.5	h3 = 16	m3 = 11
b2 = 42	h4 = -	m4 = 12.5
b3 = 49	Holding force in N = 1100	m5 = 16
b4 = -	l1 = 86	r = 80
d1 = M 6	l2 = -	S1 = 2.5
d2 = 5.6	l3 Max. = 58	S2 = 5
h1 = 184	m1 = 12.5	Weight in g = 300
h2 = 70	m2 = 27	